

Process Optimization

Hardware is only part of the solution. You could already have the right equipment for the job. We specialize in understanding your process and how it can be as robust and economical as possible.

- Design for automation
- Parameter optimization
- Cost-calculations
- Lean/Cost-savings activities

Low-Cost Mechanization

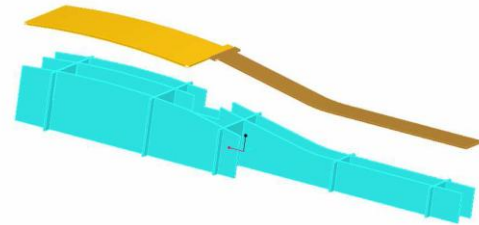
- Pre-engineered, work positioners
- Off-the-shelf weld controller
- Simple weaving, cart and rail systems

Systems Integration

- Lincoln/Fanuc, Motoman robotic welding systems.
- Custom designed and fabricated systems.
- Flexible automation for low-volume, high-mix applications
- Advanced processes-Laser, PAW, robotic GTAW, etc.
- On-site training & Support

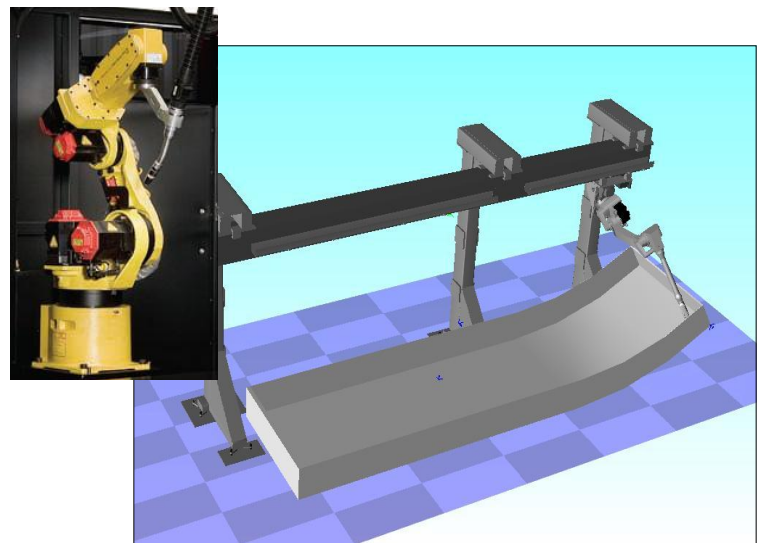
Tooling

- Rapid Computer Aided Tooling (CAT) design and fabrication
- Modular and flexible tooling systems for manual or automated welding
- Precision Hard Tooling for high-volume, high-tolerance production
- Small to large scale capabilities.



Prototyping Services

ATC has a full range of capabilities to prototype equipment or products as well as test them in-house. We also provide sample welds and demonstrations.



About Applications Technologies Company

Applications Technologies Company (ATC) is the premier welding engineering enterprise in the US. Established to offer engineered welding and manufacturing solutions, our mission is to provide clients with the technical concepts and tools necessary to assist them in achieving and maintaining global competitiveness. Areas of expertise include: welding process selection and optimization; consumable selection; component design for manufacturability; weld quality planning and improvement; supply chain quality management; interpretation and application of welding standards; mechanical testing; nondestructive examination; and automated welding equipment design, fabrication and implementation. With more than fifty years of combined welding engineering and fabrication experience, ATC offers the most cost-effective approach to application of welding and manufacturing technology to maximize your company's bottom line.